



## **MECHANICAL ENGINEERING**

Components made of  
high-performance ceramics

# MEETING THE HIGHEST REQUIREMENTS

In mechanical engineering, the requirements imposed on components made of high-performance ceramics are continually increasing. It is our challenge to meet these requirements with extensive experience and expert technical knowledge.

Machine components made of high-performance ceramics are characterised by superior properties:

- ▶ High degree of hardness and resistance to wear
- ▶ Corrosion resistance to acids and alkalis
- ▶ High resistance to mechanical stresses
- ▶ Extreme temperature resistance

The choice of the right material is most significant for the design of each technical component. A variety of aspects needs to be considered carefully before finally making this decisive choice. We would like to help you select the right material. Benefit from our years of experience that we have gained in the most varied of applications using our components.

## ADVANTAGES

- ▶ Competent application engineers at KYOCERA Fineceramics Europe GmbH support material-appropriate design and material selection.
- ▶ Years of material development pay off with unequalled material properties; corrosion and temperature resistance take the top positions.
- ▶ A good network with universities and research institutes ensures suitable partnerships for research projects and innovations.
- ▶ The worldwide sales network offers local personal contact for customers abroad.
- ▶ The complete manufacturing process from body preparation to the finished component takes place at our site in Mannheim.
- ▶ Customised integrated ceramic solutions from a single source.



**Benefit from 150 years'  
experience in ceramics.**



# PUMP COMPONENTS

Our high-performance materials and extensive experience in construction and development guarantee your machine components extended operating time and high reliability.



Containment shells made of FZM



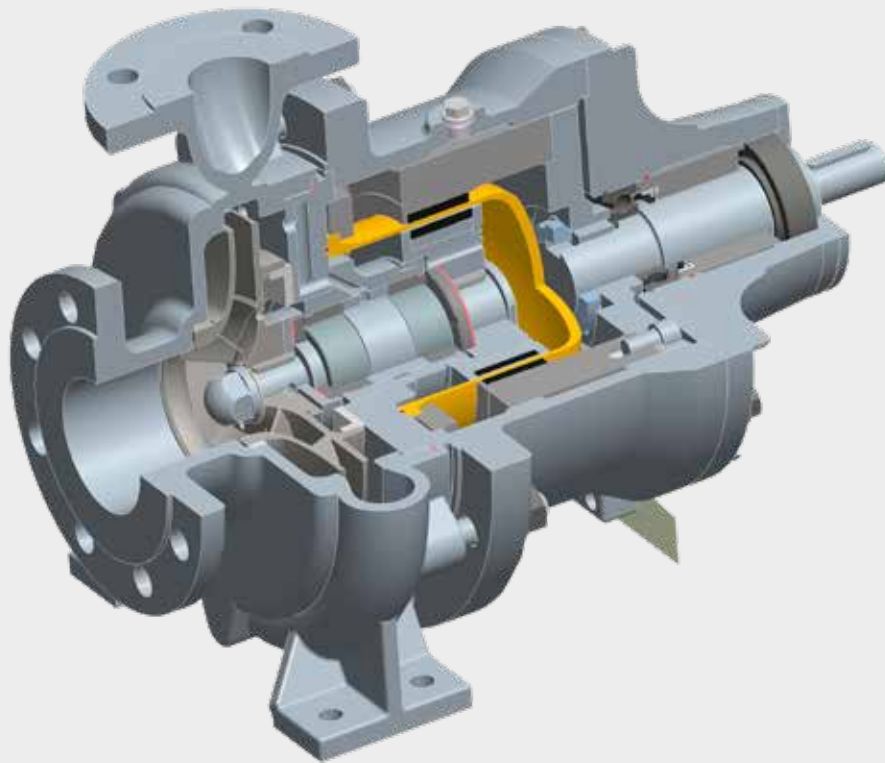
High-pressure piston made of FZM with shrink-fitted metal support ring

## CONTAINMENT SHELLS

Containment shells made of high-performance ceramics allow for maintenance-free and leakage-free shaft seals in magnetically coupled rotary pumps. The hermetically sealed housing ensures that corrosive or highly toxic media will not escape. There is also no system-related drop leakage - a gain for employees and the environment. Here, ceramics show their strengths: outstanding corrosion resistance and virtually perfect non-magnetisability prevent corrosion and eddy-current losses. Depending on their size, the high mechanical strength of ceramic containment shells allows them to be used at 450 °C and pressures of 60 bar.

## HIGH-PRESSURE PISTONS

Pistons made of ceramic materials F99.7, FZT, FZM or FZM/K are used to convey liquid and high-viscosity media even when they contain abrasive components. The plungers manage pressures up to 10,000 bar and are used in applications such as water jet cutters, high-pressure cleaners, desalination plants and cooling, rinsing or filtration circuits. The good wear resistance and ideal sliding properties ( $R_a < 0.05 \mu\text{m}$ ) enable enhanced service lives of more than 4,000 h at 3,000 bar while only developing little frictional heat.



Source: Klaus Union



Pump impeller made of FZM, approx. diameter 300 mm



Product-lubricated slide bearing made of silicon carbide

## PUMP IMPELLERS

Pump impellers for rotary pumps made of F99.7 or FZM are suitable for special pumps used under extreme conditions. Depending on the housing construction, highly corrosive, abrasive and hot media can be transported. Diffusion bonding allows for the manufacture of very complex pump impeller geometries that could not be achieved with conventional production techniques.

## SLIDE BEARINGS

Ceramic slide bearings with silicon carbide or zirconium oxide FZM sliding counterparts are used successfully in mixers and pumps for the food processing industry, pharmaceutical industry and chemical industry. Outstanding surface qualities ensure excellent sliding properties as well as sterilisation and purification of components without disassembly (CIP/SIP). Medialubricated slide bearings with magnetic couplings can solve any problem in sealing applications.

# DOSING COMPONENTS

Precision-fit piston cylinder units ensure low leakage and low wear. With our material, there is no need to worry about corrosion.



Control disc made of F99.7



Platinum-cermet-electrode sintered into a component made of FZM for magnetic flow measurement

## SLIDE AND BEARING DISCS

Pairs of sealing discs for filling, processing and mixing plants enable precise dosing of most varied media. The so-called stick-slip effect can be avoided by specific adjustment of the surface roughness of sliding surfaces to guarantee smooth running.

## FLOW METERS

The magnetic-inductive flow measurement of liquids of most different viscosities requires an electrically insulating pipe segment with a pair of electrodes of precise size and position. This is exactly what flow meters made of FZM with a sintered platinum-cermet-electrode achieve. The unique KYOCERA Fin ceramics Europe GmbH sintering technology guarantees consistent tightness at the joint even if exposed to high pressure.



Source: KRONES AG



Fitted piston / cylinder units made of F99.7

## PISTON AND CYLINDER DOSING UNITS

The use of ceramics significantly increases the safety and productivity in liquid filling machines. The FDA approval of ceramic materials F99.7, FZT and FZM allows safe use in different sectors such as the food, pharmaceutical and the chemical industry. Unlike conventional constructions, the use of ceramics achieves a seal without sealing elements using high-precision fitting of pistons and cylinders (gap clearance  $\leq 3 \mu\text{m}$ ). Our ceramic components solve the problem of purification and sterilisation of components without disassembly (CIP / SIP).

# GRINDING AND CRUSHING

Our wear-resistant and FDA-certified materials allow the crushing of extremely durable and contamination-sensitive materials.



Grinding body made of FZM and F99.7



Grinding jar with cover made of FZM

## GRINDING MEDIA

Grinding media made of high-performance ceramics are non-magnetisable and are characterised by high wear resistance. High chemical resistance and inert property allow them to be used even with an extremely sensitive grinding stock. Minimal abrasion does not affect purity which is of decisive importance when preparing probes for analyses.

## GRINDING VESSELS

Grinding vessels are available in different sizes and designs. The material's excellent mechanical properties guarantee maximum service life at minimum wear – even at high temperatures and with highly corrosive media. FZM and F99.7 are certified in accordance with FDA guidelines.





Large separator wheel made of F99.7 (outer diameter 300 mm)



Ceramic roller body made of F99.7 (outer diameter 250 mm), metal-to-ceramic bond

## SEPARATOR WHEELS

Separator wheels made of high-performance ceramics meet the most stringent requirements because of their superior material properties and sophisticated design. Ceramics show their strength when in contact with highly abrasive grinding stock: the result is low maintenance and cost reduction. The low specific weight has a positive effect on occurring forces and contributes to smooth operation.

## ROLLER BODIES

Roller bodies made of high-performance ceramics are used in pairs to crush very hard materials. The product is not contaminated, and the ceramic roller body made of F99.7 and FZM easily withstands challenging applications. To obtain the desired result, we generally recommend a metal-to-ceramic compound that combines the benefits of both materials in one component.

## POSITIONING AND WELDING PINS

The special composition of our unique materials guarantees maximum hardness and wear resistance allowing exact positioning even after many operating cycles.



**Maximum precision  
and service lifetime.**



Full ceramic welding pins made of silicon nitride



Ceramic cap positioning pins made of FZT with metal substrate



Ceramic rod positioning pins made of DEGUSSIT DD57 with metal substrate

Well-known car manufacturers use positioning and welding pins made of high-performance ceramics. The advantages are obvious: high wear resistance and hardness of materials ensure precise positioning in cars production. Compared with steel, ceramics show a 100-fold increase in service lifetime thus achieving constant high precision. Material properties such as electrical insulation and high-temperature resistance allow for effortless use of the positioning pins requiring low maintenance over a long period.

A material combination of metal and ceramics allows for optimised and cost-efficient designs that use ceramics only when necessary. Our extensive experience with metal-to-ceramic assemblies allows us to offer the most varied and customised solutions. Benefit from low tooling costs, reduced downtimes and at the same time minimal service and maintenance costs.

We offer a wide portfolio of high-performance ceramics to meet different customer requirements. We would be pleased to help you choose the right material depending on the type of your application.

# FORMING TOOLS

When combining metal and ceramics, higher hardness is achieved through sophisticated design that leads to enhanced service life and reduced failure probability.



Drawing ring made of FZM, shrink-fitted into metal housing



Different forming tools made of FZM and FZT, some with metal-to-ceramic bond

## DRAWING RINGS

High-performance ceramics offer a combination of material properties that are ideal for use with application-oriented designs. The excellent wear resistance at very high mechanical stresses leads to outstanding efficiency in particular for drawing technology. Our materials allow long service lives and outstanding surface qualities with ideal drawing behaviour. These benefits are maintained even at high temperatures and in corrosive environments. The use of drawing grease or drawing oils can be reduced significantly or even eliminated.

## EXTRUSION DIES

Punches moving in opposite directions in sleeves/dies compress powder into compact components using high pressure. Wall friction on the inside of the die causes heavy wear on the die wall due to interacting corrosion and abrasion. High-performance ceramics show significantly better resistance to friction wear and chemical attacks than metal. An external metal sleeve is shrink-fitted onto the ceramic absorbing critical stresses and toughening the ceramic using compressive stress i.e. leading to enhanced strength.





Forming roller (external diameter 200 mm) made of FZM



Forming cylinders made of FZM

## FORMING ROLLERS

Ceramic rollers made of high-performance ceramics for metal forming have shown excellent results as an alternative to conventional materials. High hardness and wear resistance of ceramics combined with high temperature resistance guarantee 20-fold service lives when compared with steel tools. This allows reduced tool inventories and less tool repair and maintenance work. In specific cases, tools no longer require cooling. The high surface quality of ceramics and little adhesion tendency towards metal results in better surfaces and quality of the rolled components when using ceramic instead of metal materials. In addition, high-performance ceramics are

chemically inert and do not react with metals or their oxides. Their resistance to almost any acids and alkalis makes them suitable for the most difficult ambient conditions.

## SURFACE FINISHING

The finest surfaces and long service life: our unique DEGUSIT DD57 sintered ruby material obtains its red colour, extreme hardness and wear resistance through a special doping procedure.



**Highest quality  
for unequalled  
surface finishes.**



Fine grinding tools made of DEGUSSIT DD57,  
square, triangular, half-round and round



Grinding disc made of DEGUSSIT DD57  
with brass mounting



Mounted points made of DEGUSSIT DD57  
with brass mounting for clamping

KYOCERA Fin ceramics Europe GmbH fine grinding tools are free of binders and suitable for processing of virtually all common hard materials such as glass, porcelain or hard metal. The specific doping with additives allows DEGUSSIT DD57 sintered ruby to achieve extremely high hardness, very high wear resistance and its deep-red colour. Our fine grinding tools are used for the manufacture of accurate fine precision devices in the watch, glass and jewellery industry or as knife sharpeners among others. DEGUSSIT

DD57 fine grinding tools guarantee unequalled surface qualities when grinding, lapping, honing and roller burnishing. By using DEGUSSIT fine grinding tools for machining, the surface of work pieces is not only machined but can also be hardened and polished with pressure. Our range of products comprises files, hand lappers, grinding wheels, grinding tools, bench stones and mounted points from coarse to medium and fine. Customised components can be manufactured on request.

# FOR SPECIAL APPLICATIONS

Our varied manufacturing and machining abilities allow for high-precision production of large and complex components.



Camera housing made of F99.7 for the aerospace industry



Dielectric rails for fuel cells made of F99.7

## CAMERA HOUSINGS

In-house 5-axis CNC machining supported by ultrasonic processing allows the manufacture of complex components such as this camera housing. The permeability of ceramics for electromagnetic radiation takes effect in this type of application: the electromagnetic waves of the sensors inside the housing can penetrate to the outside, while radar beams from outside are hardly reflected thus impeding detection of the aircraft.

## DIELECTRIC RAILS FOR FUEL CELLS

Breaking ground requires new methods: corrosion resistant dielectrics are needed for high temperatures in fuel cell technology. This is where high-performance ceramics come into play. Precision rails are machined accurately to a few  $\mu\text{m}$  along the entire length to ensure exact distances and electrical insulation in MCFCs (Molten Carbonate Fuel Cells).





Fuel cell power plant on the KYOCERA Fin ceramics Europe GmbH site.



Vacuum chamber made of F99.7, metal-to-ceramic bond (length 1,350 mm, diameter 320 mm)



Housing for X-ray image intensifier made of F99.7

## VACUUM CHAMBERS

Ceramic vacuum chambers made of high-performance ceramics are required and used in renowned particle accelerators such as the LHC at CERN, the DESY in Hamburg or the HIT in Heidelberg. These components have excellent properties, which make them ideal for high-voltage insulation or beam deflection using fast-pulsed magnets. The combination of F99.7 and metal shows minimum leakage and outgassing rates, making it perfect for use in the ultra-high vacuum (UHV).

A thin titanium coating on the inner sides of the ceramic chambers allows to be discharge secondary electron yielded reliably.

## HOUSINGS FOR X-RAY IMAGE INTENSIFIERS

Key components in medical technology such as housings for X-ray image intensifiers require a combination of metal and ceramics. Our components not only meet the highest standards of precision and reliability, they also combine the advantages of both materials in one component: weldable or screwable metal on one side and electrically insulating ceramics with high dielectric strength on the other side, both strongly bonded to each other. Our customers benefit from the highest process stability, thanks to state-of-the art facilities and years of experience in ceramic brazing.

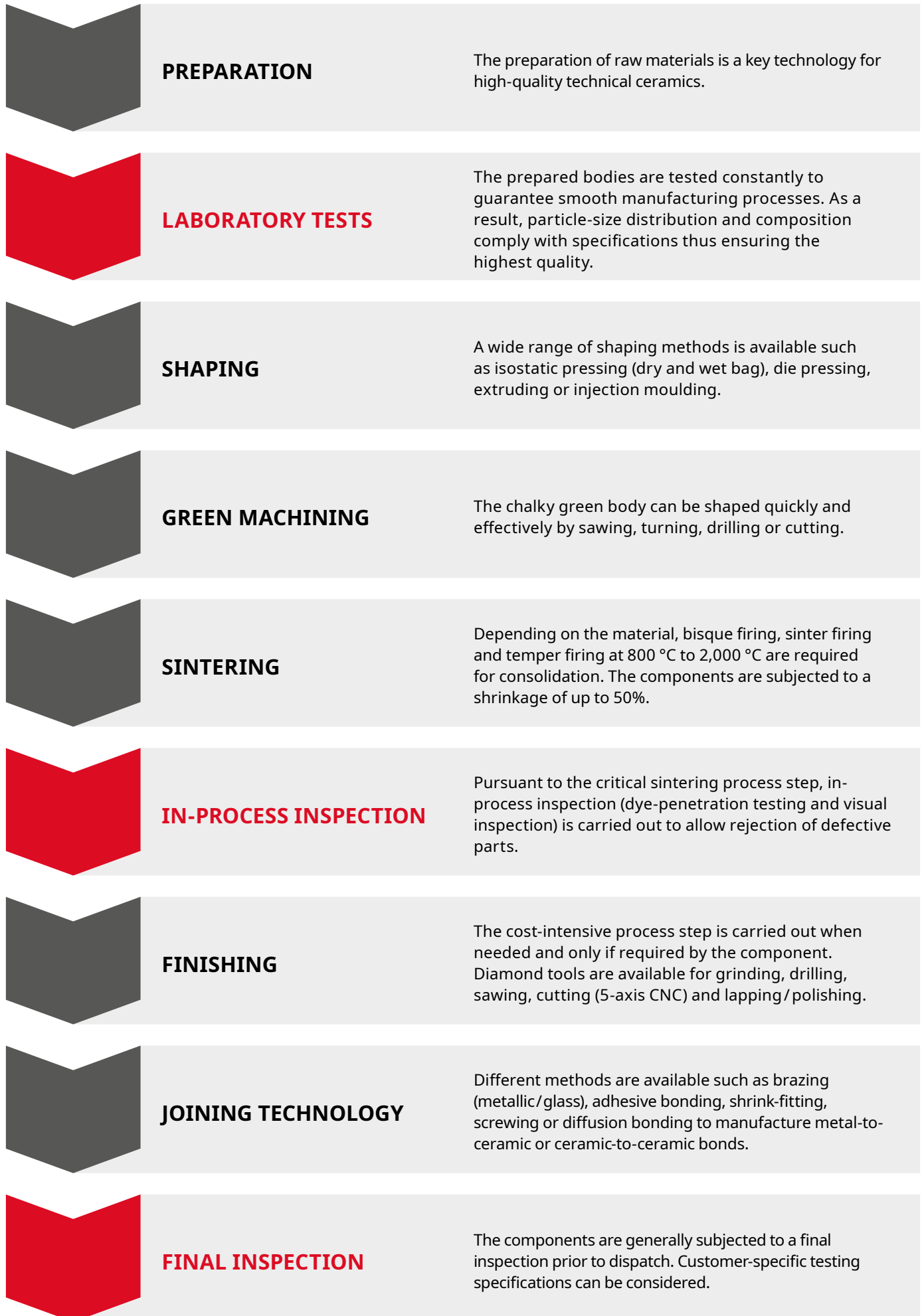
# MANUFACTURING PROCESS

The ceramic manufacturing process from the raw material to the finished product is fundamentally different from metal or plastic production.

Due to technical reasons, ceramic parts shrink during the sintering process at approx. 1,800 °C. For economic reasons, close tolerances should be avoided unless essential. Generally, compliance with dimensional tolerances of  $\pm 1\%$  is possible without subsequent treatment. Diamond tools can be used for grinding the hard machining surfaces to achieve tolerances that are more precise.

Although no technical difficulties arise during grinding, the process requires increased effort and makes the product more expensive. Please contact us during the design phase to discuss and find the appropriate solution that meets all technical requirements and at the same time is economic and suitable for ceramics – it is worth it!





# JOINING TECHNOLOGIES

Demanding applications often require different material properties to be combined in one component. The suitable joining technology is therefore a challenge for material scientists.

Ceramic-to-metal assemblies combine the properties of each individual material. As a result, the assembly shows significantly better properties. This is achieved through use of the material under conditions that fit its suitability profile.

KYOCERA Fineceramics Europe GmbH has developed a variety of innovative solutions in cooperation with customers. Areas of applications range from machine, pump and plant engineering to high-temperature and electrical applications.

## ADHESIVE BONDING

Epoxy resin-based adhesives have shown excellent results for many ceramic-to-metal applications. They are characterised by:

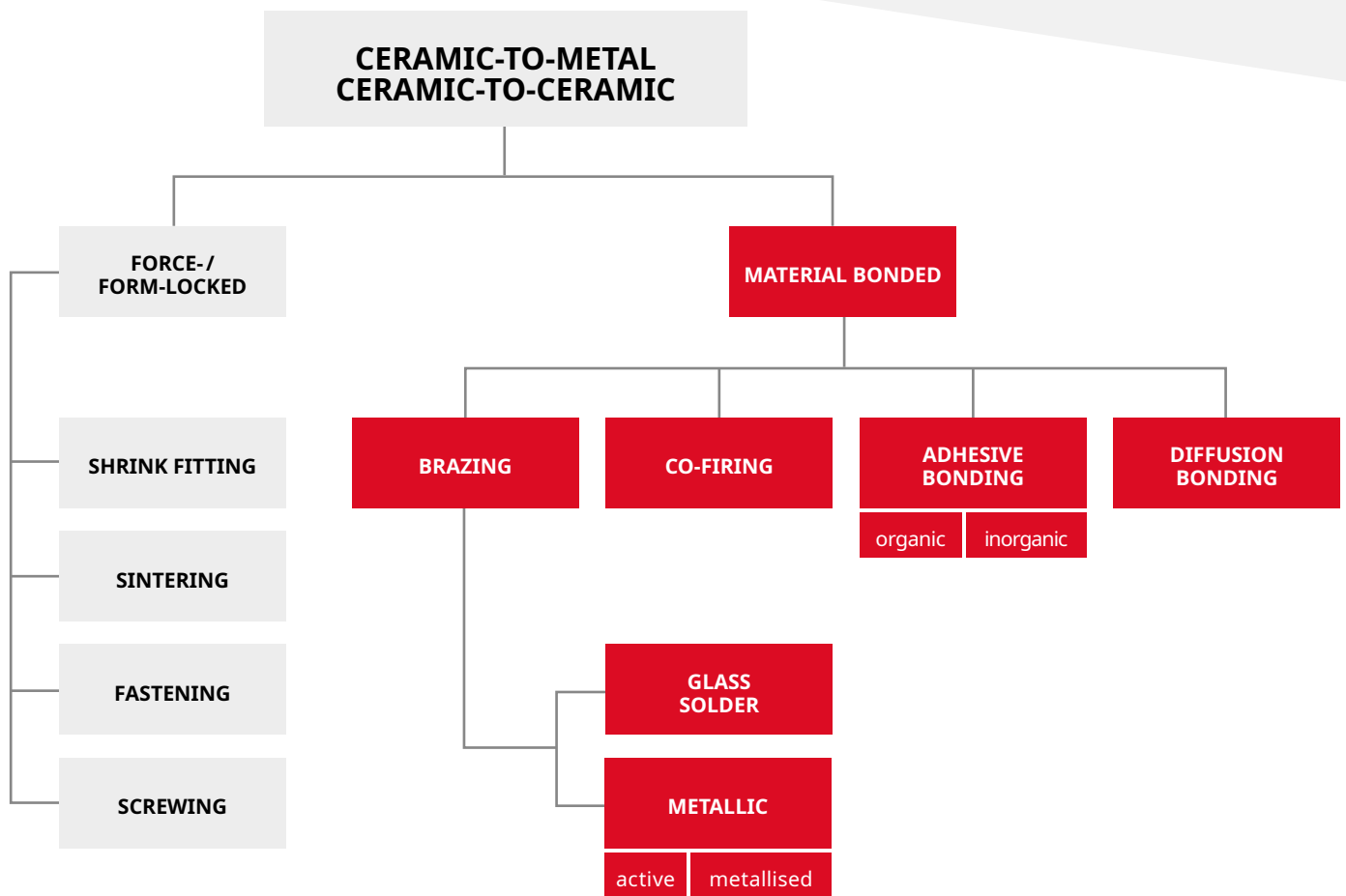
- ▶ Good mechanical properties
- ▶ Good general chemical resistance

- ▶ Low curing shrinkage
- ▶ Easy processing without pressure using the polyaddition reaction

The main advantage of adhesive bonds is their uncomplicated combining of different materials. Ceramic-to-metal adhesive bonds can reach tensile strengths of 50 MPa at room temperature when suitable adhesives and a suitable design for the use of adhesives are selected. However, these joints consist of organic adhesives and are subject to an ageing process. In addition, they should not be exposed to temperatures exceeding 150 °C for extended periods of time. Special high-performance adhesives can be used at application temperatures of up to 250 °C.

If higher temperatures are required, only inorganic adhesives can be used. These adhesives usually consist of mineral fillers such as  $\text{Al}_2\text{O}_3$ ,  $\text{ZrO}_2$  and  $\text{MgO}$  and a binder phase consisting of water glass, water-soluble aluminosilicates or phosphates.





Overview of joining techniques

However, the strength values are far below those of organic adhesives, depending on the curing mechanism, at 10 to 20% of standard epoxy resin adhesives. The decisive advantage of these adhesives is that they can be used at very high application temperatures, up to a maximum of 1,750 °C. Graphite systems can be used at temperatures of up to 2,900 °C under protective gas.

## BRAZING

The brazing of ceramics and metal parts is a technologically sophisticated joining technique and is used primarily for current-carrying components in vacuum technology. Due to different coefficients of thermal expansion, there are limits with regard to material selection when combining ceramics and metal. The use of classic metal brazes is limited due to the low wetting capacity of ceramic surfaces. To enable sufficient wetting behaviour of the braze, prior metallisation of the ceramic surface or

modification of the metal braze are required thus allowing direct wetting of the ceramic.

With regard to the brazing process, brazing of metallised ceramics is to be distinguished from active brazing. With a metallisation width of at least 2 mm, the strength of these joints exceeds 50 MPa. He-leakage rates of  $<10^{-10}$  mbar\*l/s can be achieved even for large components. Brazing of metallised ceramics is a technology that has proved efficient for joining ceramic and metal components over many decades. The Mo-Mn method has shown excellent results. The metallisation has a layer thickness of approx. 15–35 µm.

# JOINING TECHNOLOGIES



Glass-soldered ozone generator



Diffusion-welded pump impeller

## GLASS SOLDERING

Glass soldering is appropriate for gas-tight joining of ceramic components. This joining technique is characterised by a very good general chemical resistance and operating temperatures up to approx. 1,100 °C. These joints can easily achieve strengths of 100 MPa at room temperature. There is great freedom of design with regard to realisable geometries because glass soldering is less complex than brazing metallic materials. It can be carried out under an oxidising atmosphere and does not require metallisation. The bond is 100% gas-tight and chemically inert.

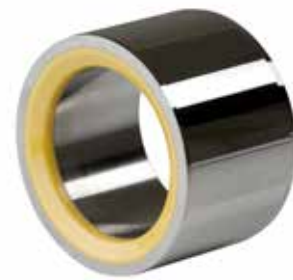
## DIFFUSION BONDING

Diffusion bonding is also known as pressure welding and joins components at higher temperatures but below the melting point. This technique can be used to join ceramic components. The contact surfaces of the components to be joined require precise machining with regard to surface quality and shape tolerances. As a result, diffusion produces material-bonded assemblies of the individual components. Ceramic pump impellers with curved blades are just one example for complex ceramic components that are manufactured using this joining technique.

## Ceramic-to-metal bonds for an ideal combination of properties.



Component with sintered platinum-cermet-electrode for magnetic-inductive flow measurement



Drawing ring, shrink-fitted into metal housing

### CO-FIRING

Sintering both materials in one firing process is another option for joining ceramics and metal. The ceramic part is shrink fitted onto a high-temperature resistant metal or cermet body. One of the few materials that can be used is platinum with a melting point of approx. 1,770 °C and an excellent resistance to oxidation. Measurement cells for magnetic-inductive flow meters (EMF) are the classic example for the highly successful use of this technology. Conductors such as platinum wires or platinum-based cermets used in state-of-the-art EMFs are required for voltage tapping and are joined with FZM type ceramics using sintering. Variants with cermet electrodes show He-leakage rates of  $<10^{-10}$  mbar $\cdot$ l/s and can be exposed to bursting pressures of  $>1,000$  bar.

### SHRINK FITTING

A press joint is one example of a force-locked joint that is appropriate for ceramics. Shrink fitting allows a metal part on the outside to be fitted onto a ceramic part on the inside. The outer part is heated to push the metallic body on the outside over the oversized ceramic core. The metal part is shrink-fitted onto the ceramic part through thermal elastic recovery as it cools. Since ceramic materials have extreme compressive strength, this design principle accommodates the strength properties of the ceramic.

In-house tests with test pieces have proved the high strength of press joints. Vacuum-tight joints can be achieved by inserting an additional intermediate layer of ductile metal between the part on the inside and the outside.

# MATERIAL DATA

Properties		Unit	Material F99.7
Main components		-	$\alpha$ - Al <sub>2</sub> O <sub>3</sub>
Purity		wt-%	> 99.5
Apparent density		g/cm <sup>3</sup>	≥ 3.90
Open porosity		Vol.-%	0
Residual porosity		Vol.-%	-
thereof open porosity		Vol.-%	-
Average size of crystallites		μm	10
Bending strength $\sigma_m$	DIN EN 843-1	MPa	350
Weibulls modulus		-	> 10
Toughness $K_{Ic}$	SEVNB	MPa * m <sup>0.5</sup>	3.5
Compressive strength		MPa	3,500
Modulus of elasticity	static	GPa	380
Poisson's ratio		-	0.22
Hardness	HV1	-	1,760
Maximum service temperature	in air inert atmosphere	°C	1,950 -
Linear coefficient of expansion	-100 – 20 °C	10 <sup>-6</sup> /K	5.5
	20 – 100 °C		-
	20 – 500 °C		7.3
	20 – 900 °C		-
	20 – 1,000 °C		8.2
Specific heat	20 °C	J/(kg * K)	900
Thermal conductivity	20 °C	W/(m * K)	34.9
	100 °C		-
	500 °C		-
	900 °C		-
	1,000 °C		6.8
Resistivity	1,500 °C	Ω * cm	5.3
	20 °C		10 <sup>15</sup>
	50 °C		-
	100 °C		-
	300 °C		-
Dielectric strength	600 °C	kV/mm	-
	900 °C		-
	1,000 °C		10 <sup>7</sup>
Dielectric strength	20 °C	kV/mm	> 30
Typical colour		-	ivory

The data indicated on this table are in line with the introductory German Industrial Standard DIN 60672-2 and relate to test specimens from which they were obtained. They are not unconditionally applicable to other forms of the same material. The data must be regarded as indicative only. All data refer to a temperature of 20 °C, unless otherwise specified.

To find information about characteristic values of other materials, please go to [www.kyocera-fin ceramics.de](http://www.kyocera-fin ceramics.de).




Material FZM	Material FZT	Material FZM/K	Material DEGUSSIT DD57
ZrO <sub>2</sub> , MgO	Al <sub>2</sub> O <sub>3</sub> , ZrO <sub>2</sub>	ZrO <sub>2</sub> , Y <sub>2</sub> O <sub>3</sub> , Al <sub>2</sub> O <sub>3</sub>	Al <sub>2</sub> O <sub>3</sub> , Cr <sub>2</sub> O <sub>3</sub>
> 99.7	> 99.5	≥ 99.8	> 99.5
≥ 5.70	≥ 4.10	≥ 6.0	≥ 3.90
0	0	0	0
-	-	-	-
-	-	-	-
50	5	0.8	10
500	460	1,000	300
> 15	> 15	10	-
6.3	3.3	4.6	-
2,000	3,000	2,200	3,000
185	360	200	380
0.3	0.24	0.3	0.22
1,220	1,880	1,420	1,660
900	1,700	1,000	1,950
-	-	-	-
7.7	4.9	-	-
-	-	-	7.5
10.4	7.5	-	-
10.6	-	-	-
-	8.3	10.5	8.5
400	850	400	900
3	-	-	34.9
-	25	2.5	-
2.3	-	-	-
2	-	-	-
-	-	-	-
-	-	-	-
10 <sup>10</sup>	-	-	-
-	-	5 * 10 <sup>10</sup>	-
-	-	2.5 * 10 <sup>9</sup>	-
-	-	4.5 * 10 <sup>5</sup>	-
-	-	8 * 10 <sup>3</sup>	-
84	-	-	-
-	-	15	-
-	-	> 5	-
yellow	white	white	red

## ABOUT KYOCERA



**The global Kyocera corporation - a strong partner.**

- ▶ **Headquarters:** Kyoto, Japan
- ▶ **Foundation:** 1959
- ▶ **Employees:** over 80,000 worldwide
- ▶ **European headquarters:** Esslingen, Germany
- ▶ **European production sites:** Mannheim, Germany  
Selb, Germany  
(further subsidiaries in Europe)

 **KYOCERA** = **KYOTO CERAMICS**

### **KYOCERA – it all began with ceramics**

KYOCERA Fineceramics Europe GmbH is a subsidiary of KYOCERA Europe GmbH, which has been successful in Europe for over 50 years. The Kyocera Group is one of the world's leading providers of high-performance ceramic components for the technology industry, offering over 200 different ceramic materials, as well as state-of-the-art technologies and services tailored to the specific needs of each market.

KYOCERA Fineceramics Europe GmbH has grown steadily in recent years – and is now a leading European supplier of customised solutions made of technical ceramics. Working in partnership, we develop and manufacture products that offer our customers added value in their respective markets and secure their technological lead in the long term. We are committed to this every day.

Throughout Europe, we are represented by two production and development sites in Mannheim and Selb, as well as six sales offices –

in Mannheim, Selb, Esslingen, Neuss, Rungis (France) and Frimley (United Kingdom).

Our hearts beat completely for ceramics. Our team provides comprehensive advice on the selection of ceramic materials, product design and project execution – from the development stage to prototyping. We supply system components for high-tech applications in numerous industries. Our products are characterised by high quality, precision and durability.

Our business partners benefit from the fact that we think and work across divisions within the Kyocera Group. Because innovations and real milestones can only be achieved together – across industries and national borders.

This is what we believe.

## About the KYOCERA Group

KYOCERA Europe GmbH is a company of the KYOCERA Corporation headquartered in Kyoto/ Japan, a world leader in semiconductor, industrial and automotive components as well as electronic components, printing and multifunction systems, and communications technology. The technology group is one of the world's most experienced manufacturers of smart energy systems, with more than 45 years of industry expertise. The Kyocera Group comprises of around 300 subsidiaries.

Kyocera aims to create a better future for the world, using the power of technology to solve issues we face as a global society. This ambition is rooted in our Kyocera Management Rationale: to contribute to the advancement of society and humankind.

We will continue to work together with people around the world to solve issues critical to society leveraging all of the technologies and management capabilities we have accumulated during our 60-plus year history.

The company also takes an active interest in cultural affairs. The Kyoto Prize, a prominent international award, is presented each year by the Inamori Foundation established by Kyocera founder Dr Kazuo Inamori to individuals worldwide who have contributed significantly to the scientific, cultural, and spiritual betterment of humankind.





**KYOCERA Fineceramics Europe GmbH**

Steinzeugstrasse 92  
68229 Mannheim / Germany  
Tel: +49 621 40547-300  
E-mail: [info@kyocera-fineceramics.de](mailto:info@kyocera-fineceramics.de)  
[www.kyocera-fineceramics.de/en](http://www.kyocera-fineceramics.de/en)

**Plant Selb**

Lorenz-Hutschenreuther-Strasse 81  
95100 Selb / Germany  
Tel: +49 9287 807-0

**Sales office Esslingen**

Fritz-Müller-Strasse 27  
73730 Esslingen / Germany  
Tel: +49 711 93 93 4-0

**Sales office Neuss**

Hammfelddamm 6  
41460 Neuss / Germany  
Tel: +49 2131 16 37-0

**Sales office Great Britain**

Prospect House, Archipelago, Lyon Way  
Frimley, Surrey  
GU16 7ER / Great Britain  
Tel: +44 1276-69 34 50

**Sales office France**

Parc Icade Orly - Rungis  
21 rue de Villeneuve  
94150 Rungis / France  
Tel: +33 1 41-73 73 30